

GP-T428L

Optical Distribution Terminal

Applications

- The ODU box is designed for the connection of optical fiber to pigtail and providing full splice and perfect fiber management.
- The ODU box is used indoor or in cabinet.



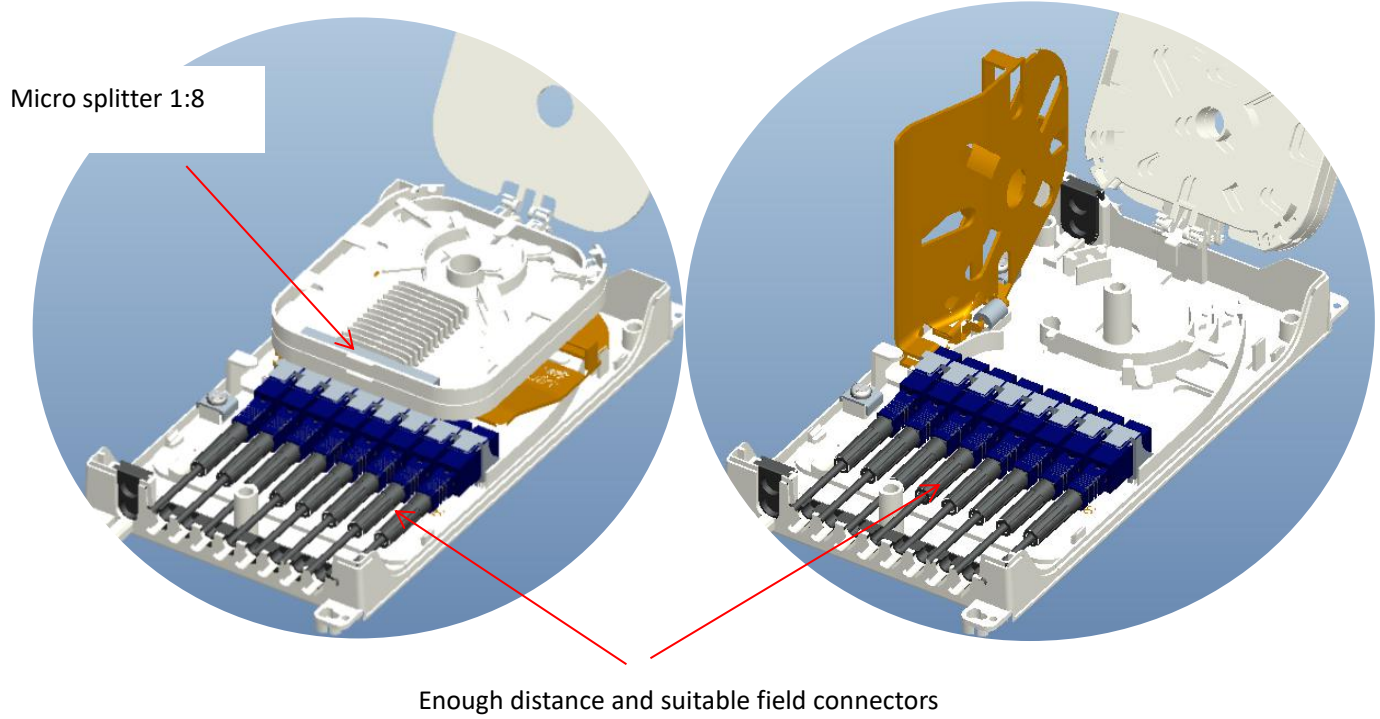
Features & Benefits

- Made of Brand new plastic LSZH.
- Double protection - the first cover protect the customer area and the secondary cover to protect splice area.
- Clear fiber function area division and clear fiber routing.
- Special slot for micro splitter 1:8 in splice tray.
- Splice tray can hold on 120 degree when wall-mounted and full load.
- Adaptor holders can be lifted a little and make the installation easy.
- The storage tray for uncut cable storage.
- Longer distance from the adapter to the drop port , suitable for field connectors.
- Two bolts on the cover to give better protection of the box (no less than IP45).

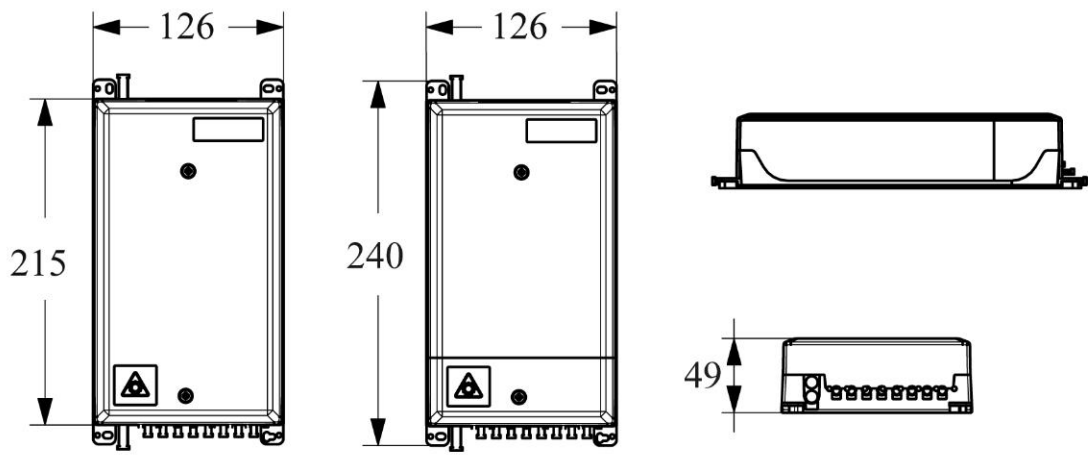
Specifications

Part No.	GP-T428L
Outside Dimension	240×126×49mm
Color	RAL 9003
Cable ports	2 in & 2 out (on line)
Cable dia. (max.)	φ10mm
Output ports and cable dia. (max.)	8×φ5mm, or figure 8 cables
Splice tray	2pcs *12FO
Splitter type	Micro splitter 1:8
Adaptor type and count	8 SC
Mount type	Wall-mounted

. Product Advantages



. Dimensions



. Accessories

