

GJS-D5032A

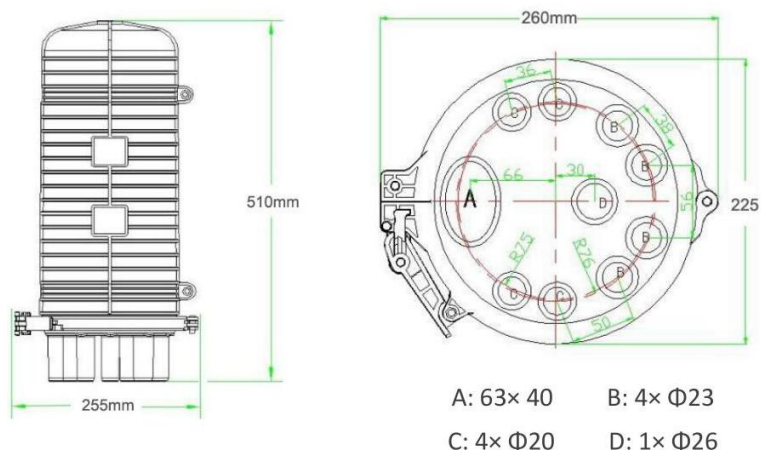
Dome Type Fiber Access Terminal



. Specifications

Part Number	GJS-D5032A
Dimensions	510 × Φ225mm
Number of cable ports	1 oval port + 9 round ports
Splice tray and splice capacity	3 × 24/48 = 72/144 FO
Max. number of adapter	(32 + 2) SC
PLC splitter	1:32 cassette splitters
Mounting type	Aerial, wall or pole
Protection level	IP68

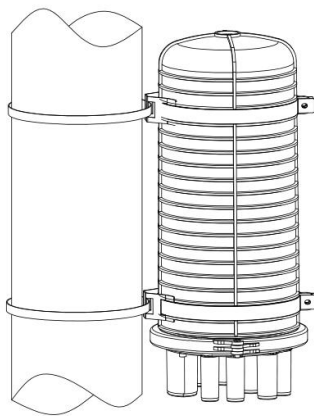
. Drawing with Dimensions



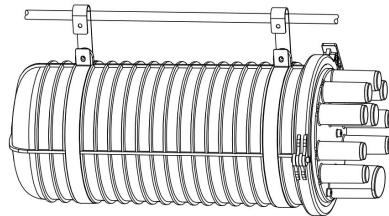
. Performances

Part No.	GJS-D5032A
Temperature range	-40C ⁰ ~ + 70C ⁰
Life expectancy	25 years
UV resistant additives	5%
Seal material of the cable ports	Heat shrinkable sleeve
Protection level	IP68

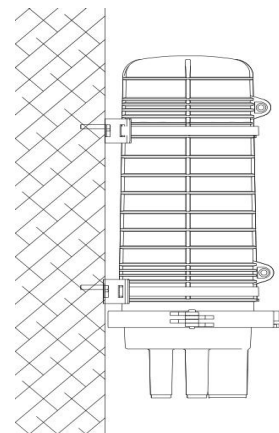
. Mounting Scene Solution



Pole-mounting

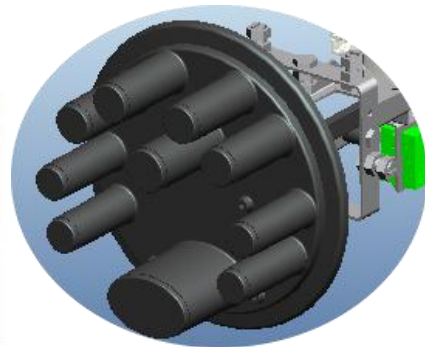


Aerial-mounting



Wall -mounting

. Accessories



. Accessories for customer option:

- Grounding device.
- Inflating valve.
- Wall-mounted kit.
- Pole-mounted kit.



For pole

Pole-mounted kits